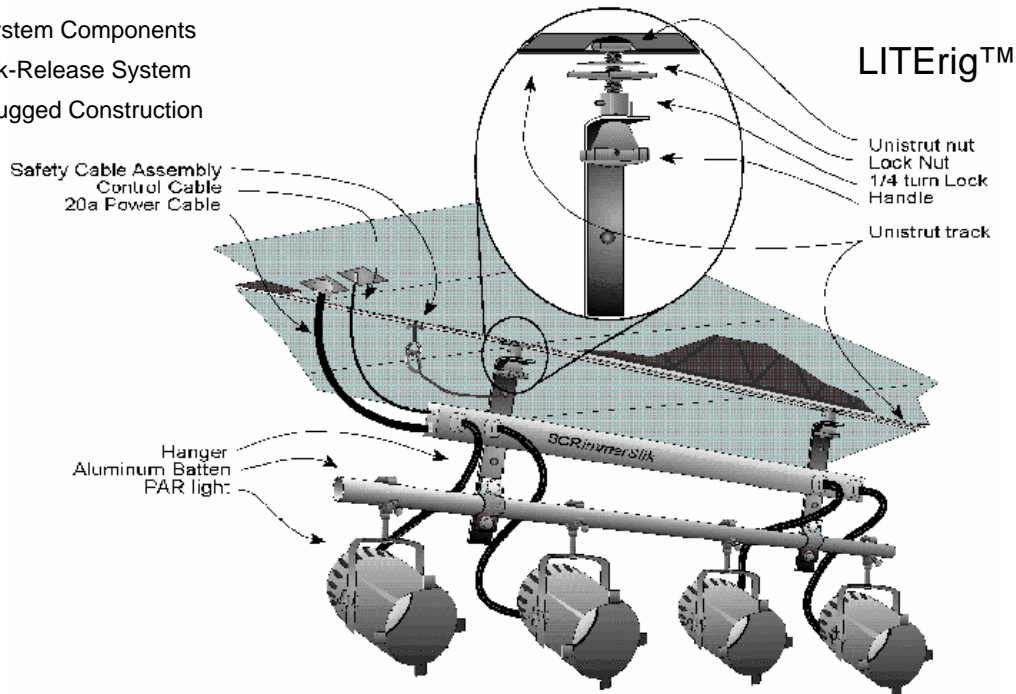




Performance Controls

Features

- Modular System Components
- Easy, Quick-Release System
- Durable, Rugged Construction



Description

The LITErig™ has been developed to meet the needs of facilities like ballrooms, meeting rooms, banquet facilities; any area where the ability to install and remove lighting equipment quickly, with a minimum of time and effort is desirable.

The system is designed to efficiently hang a full lighting system in venues equipped with UniStrut™ channel track systems. Employing a unique quick-release mechanism, the hanger will carry 1.25", schedule 40 pipe batten, four lighting instruments, the SCRimmer Stik, and includes a safety cable assembly.

Built to demanding specifications and constructed of .125" strap steel, 1.5" wide, the hangers are rugged and strong. The cast iron and steel parts of the quick-set and release system called the Track Tamer™ is engineered to withstand long, hard use.

The Track Tamer™, with its' exclusive 1/4-turn lock, allows an entire assembly to be easily handled and installed or struck by one person. The entire unit, excluding the luminaries, weighs about eighteen pounds. This modular hanging system is a simple, neat, and very fast method of deploying and relocating a complete lighting system.

Order Information:

LITErig™ System Components:

Track Tamer Hanger Scrimmer Stik: 2x1200, circuits / watts
 Safety Cable Assembly PAR 56 Fixtures 4x600, circuits / watts
 Aluminum Pipe Batten

Options:

Black Vertical Stik Mounting
 White Horizontal Stik Mounting
 Custom

Job Number:

Customer:

Approval Stamp:

Job Name:

P.O.:

Electronics Diversified, Inc.

PRODUCT DATA SHEET

1675 N.W. Cornelius Pass Road • Hillsboro, Oregon 97124 U.S.A.
 Phone: (503) 645-5533 • FAX: (503) 629-9877 • Web Site: www.edionline.com

P156



System Components:

- a. Track Tamer™, Hanger assembly
High strength cast iron handle. Steel screw. Welded Unistrut™ nut. .125" Strap steel, 3/8" Bolts and Nuts.
 - b. 4' Aluminum pipe batten
1.25" Diameter, .140" wall.
 - c. SCRimmer Stik™
Portable dimmer unit rated at 2400 watts total.
 - d. Safety cable assembly
Closed steel hook, 1/8" wire rope, 3/8" eye bolt.
- Carries either four or two dimmers. Four dimmer units rated at 600 watts each dimmer, two at 1200 watts each. Remote and Local digital control. USITT DMX 512 protocol.

Note: Shown below is a typical application for the LITErig™ including some commonly used luminaries. The entire unit, without the luminaries weighs 18.2 pounds. With the PAR 56 units, each at approximately nine pounds, the complete unit weighs less than 60 pounds.

Horizontal Stik Mounting

